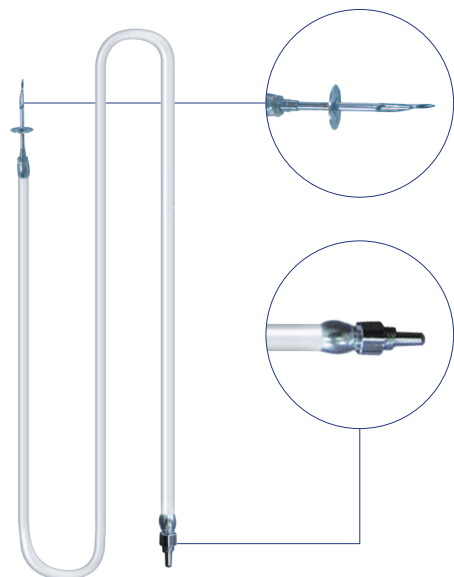


IMOMÉTAL

Metal large volumes intravenous injection set with:

- Double needle for air intake.
- Top collar.
- 150 cm clear PVC tubing.

Supplied individually in non-sterile polyethylene bag.



Code	Model
140512	Imometal

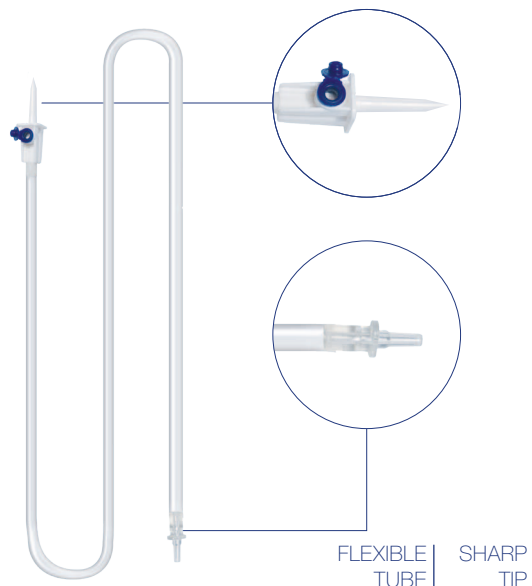
Outer packaging:
master case of 48 boxes

IMOPLAST

Plastic disposable large volumes intravenous injection set with double needle.

- With a closable venting for flexi-packs or hard bottles.
- 150 cm clear PVC tubing.
- Plastic Luer-Record hub.

Supplied in non-sterile polyethylene bag by 25.

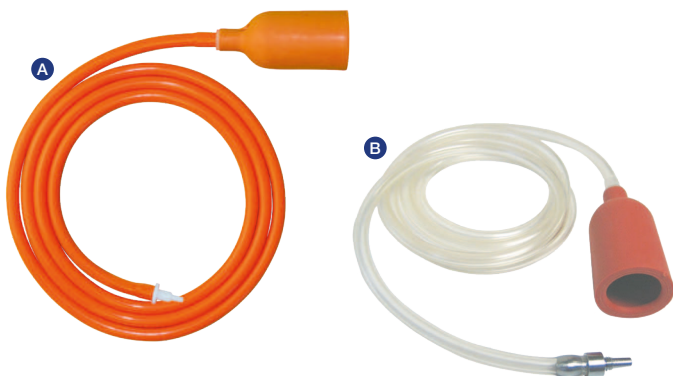


Code x 25	Model
140514	Complete with plastic Luer-Record hub
140515	Double needle only

IMOVALVE

Large volume intravenous set. The rubber dome fits all standard bottles and contains a built-in air intake.

Supplied in polyethylene bag with 150 cm tubing.



	Code	Model
A	140481	Complete set with plastic Luer-Record hub
	140483	Complete set with metal Luer hub
B	140500	Complete set with metal hub
	140501	Complete set with plastic hub
	140502	Dome only with reducer
	140533	1 meter of 4/7 tubing
	109332	1 meter 4/7 transparent tubing